



# STAINLESS STEEL & PLASTIC UTILITY CARTS



### FEATURES:

Knock Down Unit.  
 4" Swivel Casters  
 Sound dampening pads affixed to shelving bottom.  
 Adjustable shelves furnished with 1 1/4" x 1" square die embossed NO-DRIP countertop edge with 1/2" return on four sides.

### CONSTRUCTION:

Unit assembles using tapered split sleeves.  
 Set of four 4" swivel casters includes two casters with brakes and 4 donut bumpers.

### MATERIAL:

**SHELVES:** Heavy gauge stainless steel.

**TUBING:** chrome post.

Model #	A	B	Length	Width	Wt.
UC-3-1827	18"	27"	34 1/2"	18"	27 lbs.
UC-3-2433	24"	33"	40 1/2"	24"	35 lbs.

Item #: \_\_\_\_\_ Qty #: \_\_\_\_\_

Model #: \_\_\_\_\_

Project #: \_\_\_\_\_



### FEATURES:

K.D. Unit.  
 4" Swivel Casters, 2 with brakes.  
 3 shelves with 1/4" retaining lip all sides.  
 150 lb. weight capacity.  
 Easy to assemble.

### CONSTRUCTION:

Injection molded thermoplastic.

### MATERIAL:

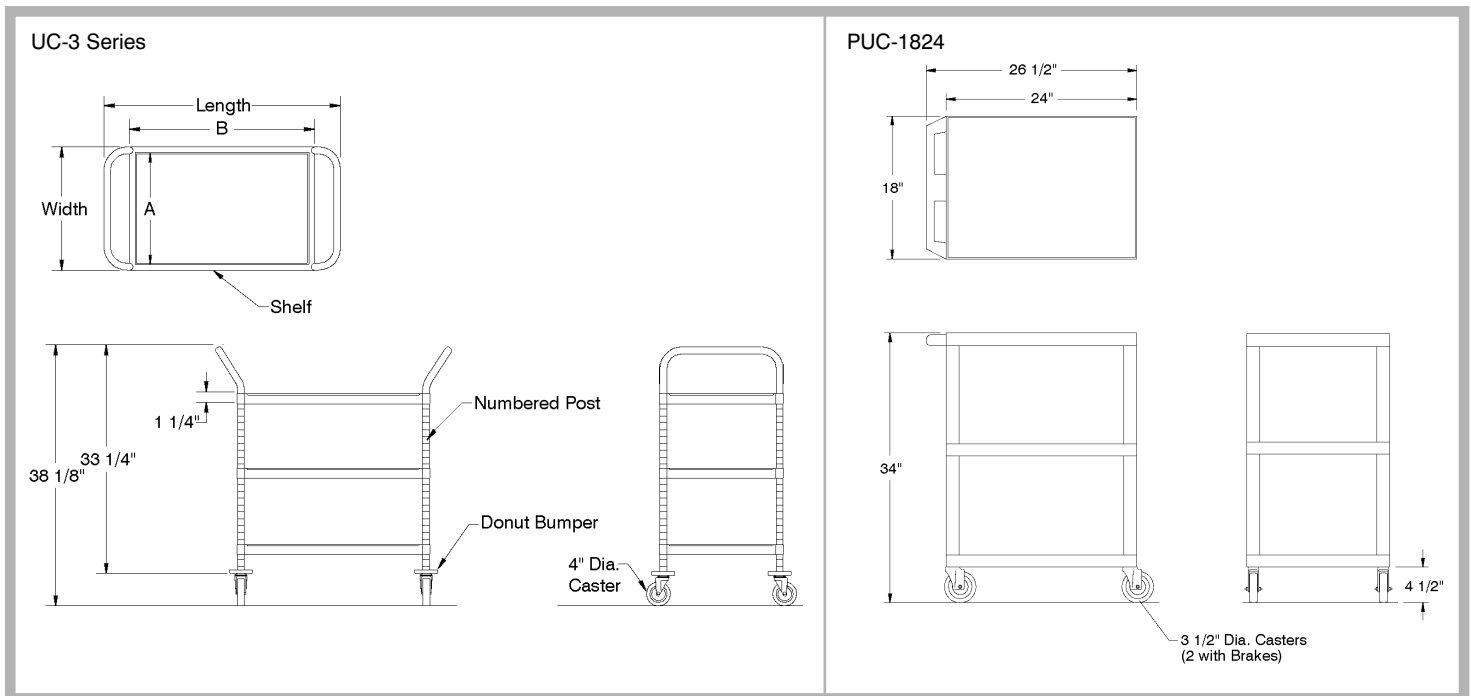
Black thermoplastic.

MODEL #	Length	Width	Wt.
PUC-1824	26 1/2"	18"	28 lbs.

## DETAILS and SPECIFICATIONS

TOL ± .500"

ALL DIMENSIONS ARE TYPICAL



**NEW YORK**  
 (800) 645-3166  
 Fax: (631) 242-6900

**GEORGIA**  
 (800) 832-1218  
 Fax: (770) 775-5625

**TEXAS**  
 (800) 527-0353  
 Fax: (972) 932-4795

**NEVADA**  
 (800) 446-8684  
 Fax: (775) 972-1578

For Assistance with  
 Smart Modifications & Accessories Call:

1-800-498-6634 Fax: 631-586-2933  
 smartfab@advancetabco.com