



STAINLESS STEEL GOWNING BENCHES



SOLID TOP

Item #: _____ **Qty #:** _____
Model #: _____
Project #: _____

FEATURES:

Top is furnished with 1 5/8" sanitary rolled rim edges on front and back.
 Sides are 1 5/8" and turned down square.

Rainbow legs are formed for maximum stability and can be adapted for floor mounting. Cross stretcher bolted to rainbow legs. Assembly required.

CONSTRUCTION:

All TIG Welded.

Welded areas blended to match adjacent surfaces and polished to a #4 finish. Die formed rolled rim edges.

Stud welded hat section reinforces and maintains a level seating area.

MATERIAL:

TOP: 16 gauge stainless steel type "304" series.

LEGS: 1 5/8" diameter tubular stainless steel and 1" adjustable plastic bullet feet.

Stainless steel gussets.

STRETCHER: 1 5/8" diameter tubular "304" series stainless steel.

SOLID TOP

Length	MODEL #	Weight
4'	BKR-4	38 lbs.
5'	BKR-5	49 lbs.
6'	BKR-6	58 lbs.
7'	BKR-7	67 lbs.
8'	BKR-8	77 lbs.

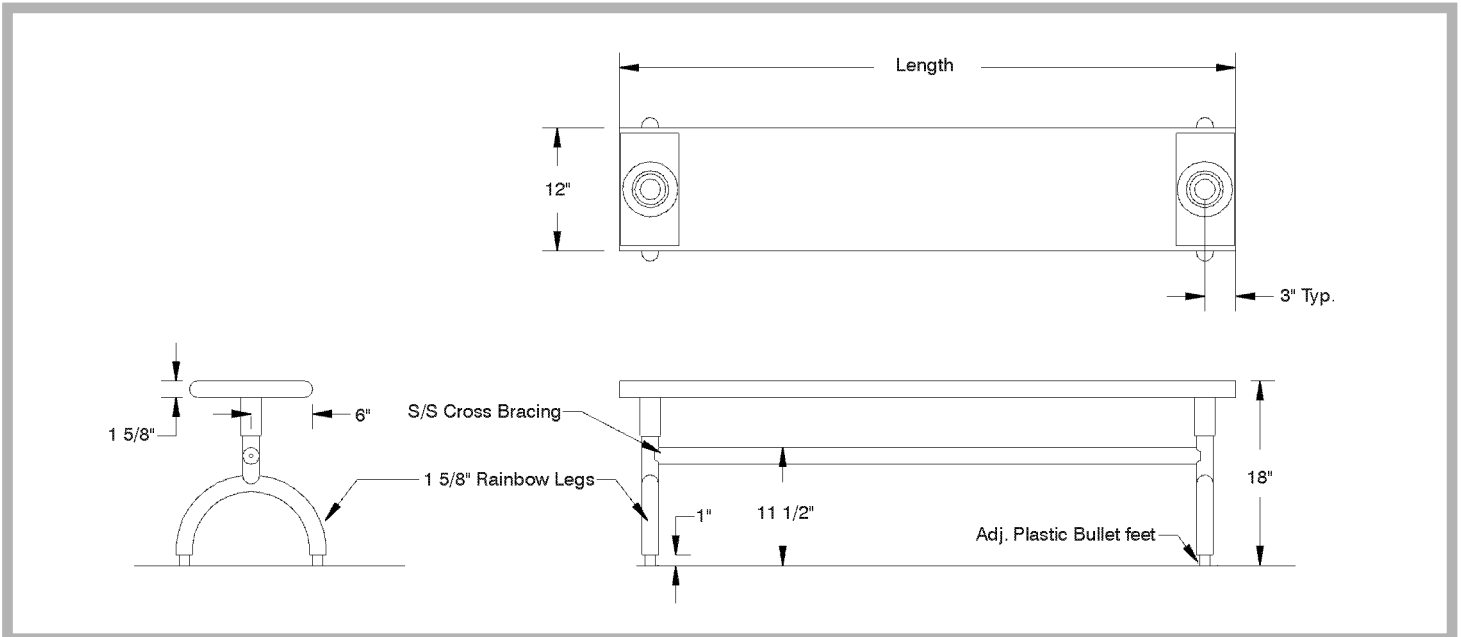
ACCESSORIES

	MODEL #	Qty
Special Modification Size	BA-10	
S/S Flanged Feet	BA-11	
Electropolish	BA-13	
Welded Setup	BA-14	

DIMENSIONS and SPECIFICATIONS

TOL ± .500"

ALL DIMENSIONS ARE TYPICAL



NEW YORK
 (800) 645-3166
 Fax: (631) 242-6900

GEORGIA
 (800) 832-1218
 Fax: (770) 775-5625

TEXAS
 (800) 527-0353
 Fax: (972) 932-4795

NEVADA
 (800) 446-8684
 Fax: (775) 972-1578

For Assistance with Smart Modifications & Accessories Call: **1-800-498-6634** Fax: 631-586-2933
 smartfab@advancetabco.com